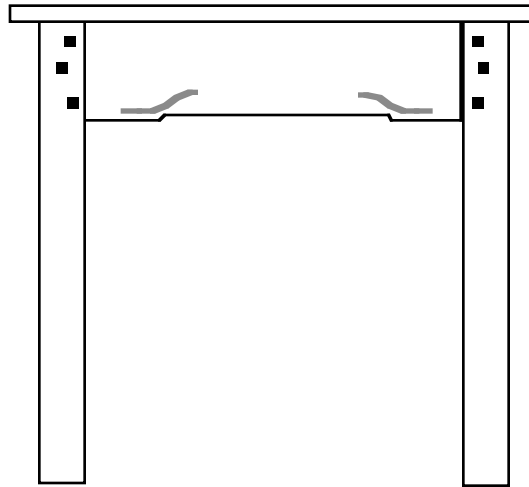


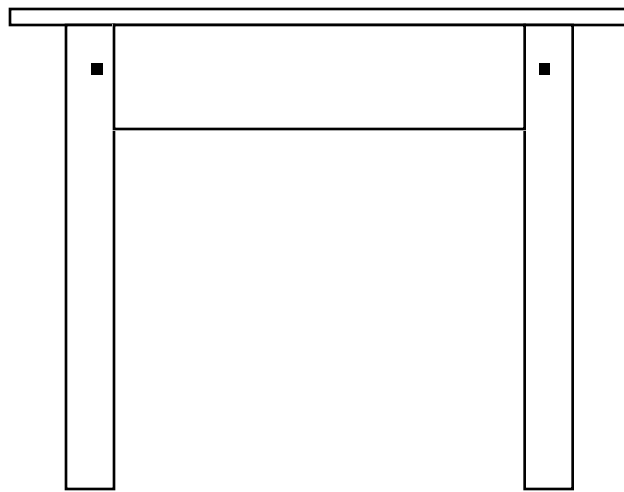
GREENE & GREENE INSPIRED END TABLE

COPYRIGHT 2001 BY DAVID MATHIAS

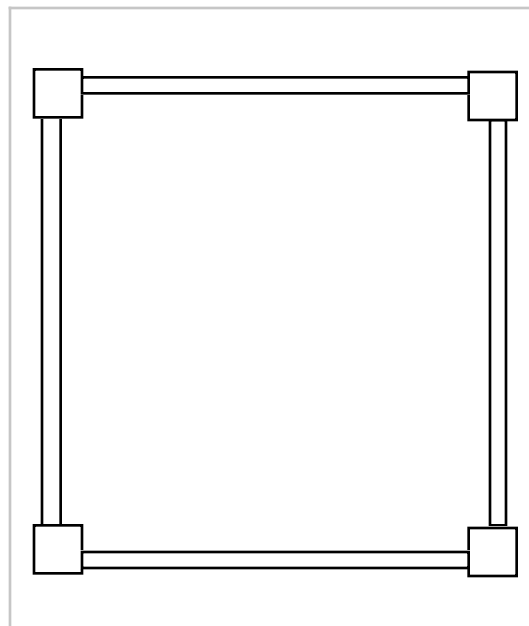
FRONT VIEW



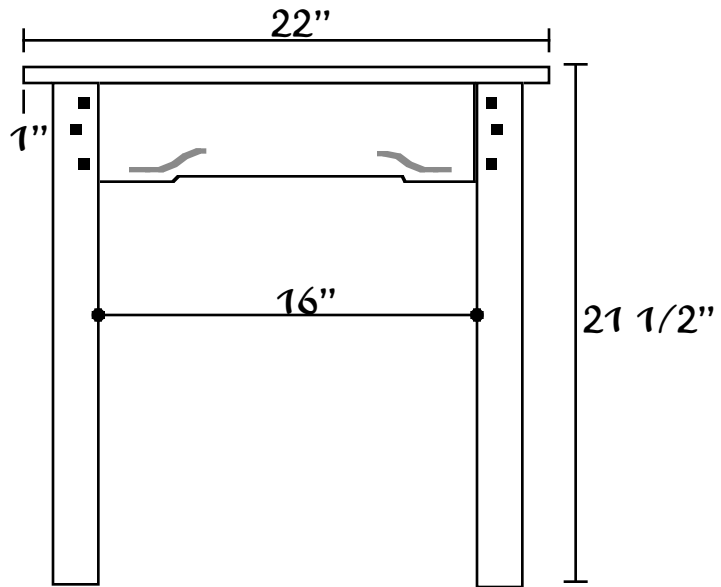
SIDE VIEW



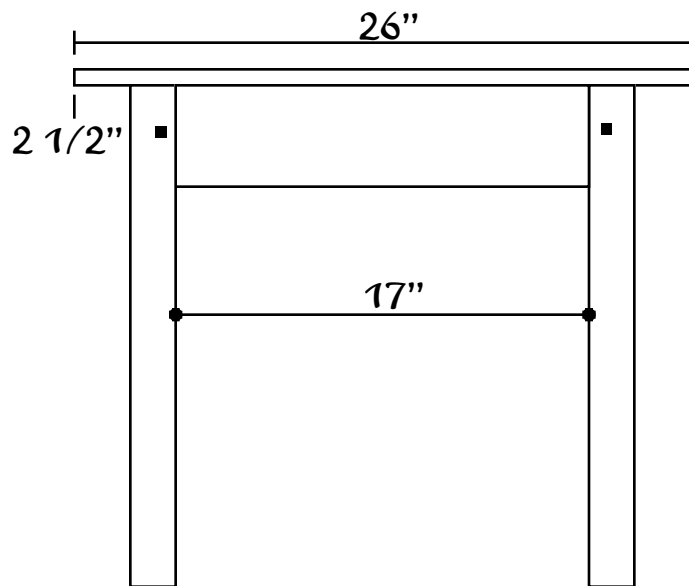
TOP VIEW



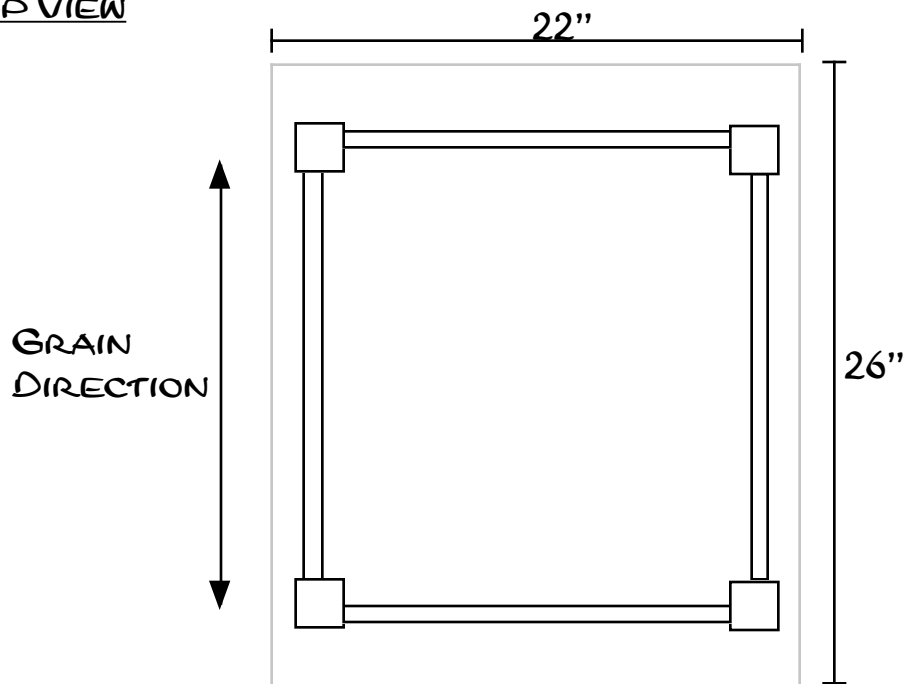
FRONT VIEW



SIDE VIEW

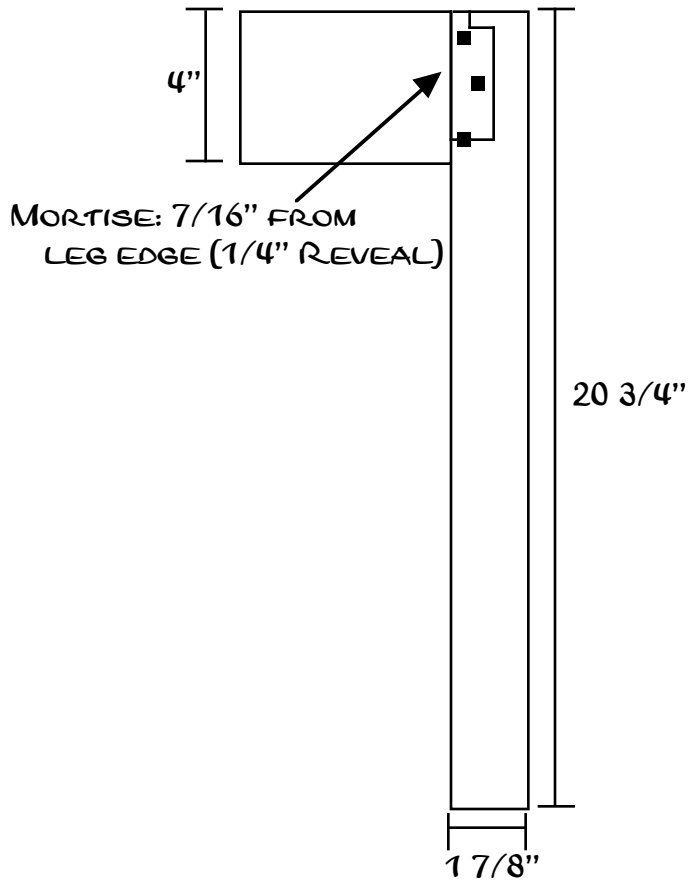


TOP VIEW

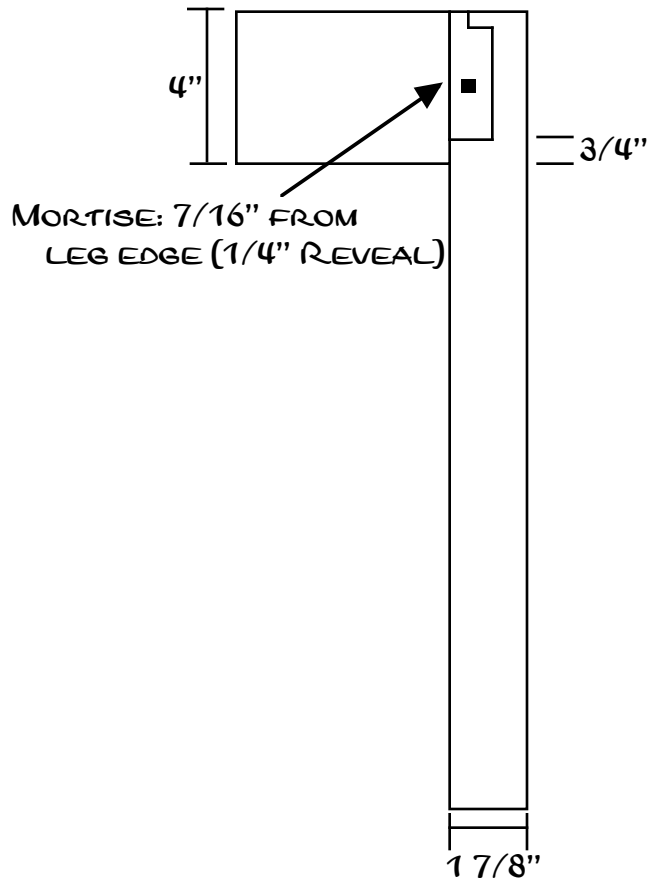


LEG DETAIL

FRONT OF LEG



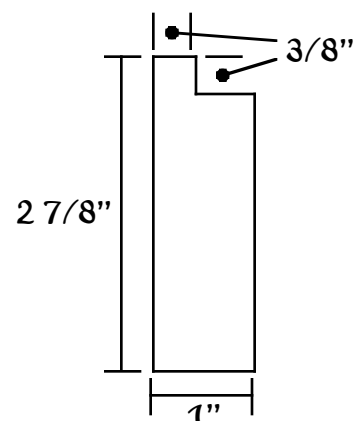
SIDE OF LEG



NOTES:

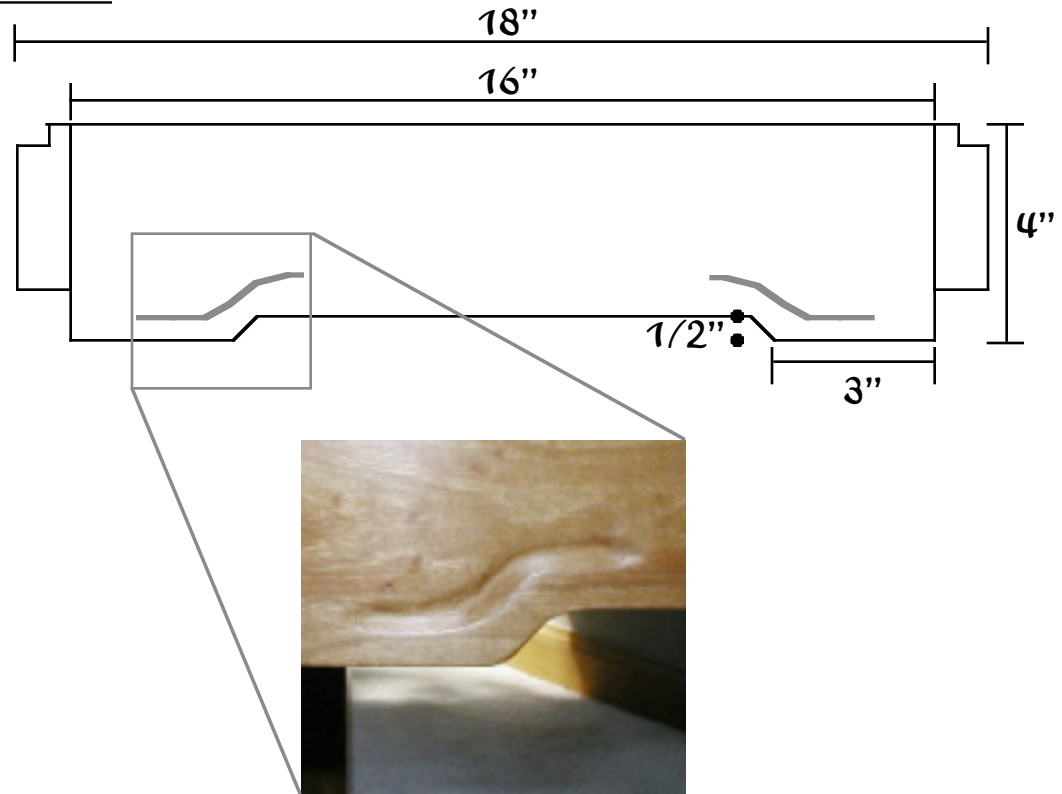
1. MORTISES FOR PEGS: 3/8" x 3/8"
2. DIRECTIONAL MARKINGS ON EACH LEG ARE RELATIVE TO THAT LEG ONLY
3. LEG CORNERS ROUNDED WITH 1/4" BIT

MORTISE DETAIL:

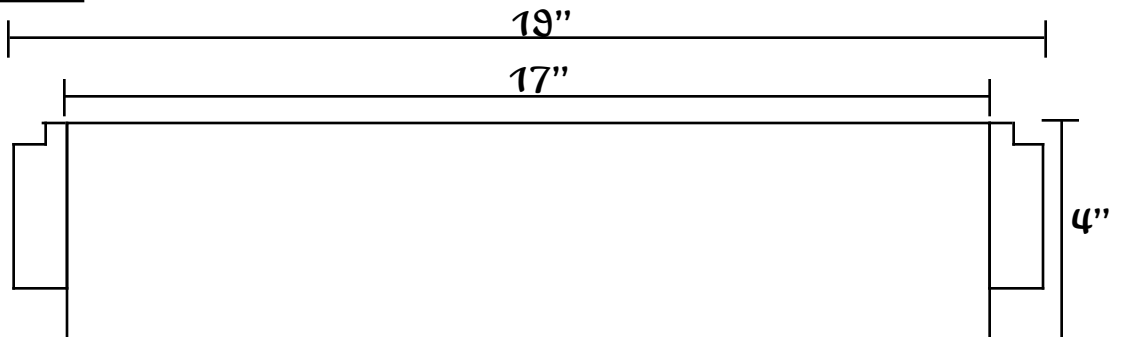


RAIL DETAIL

FRONT RAIL



SIDE RAIL

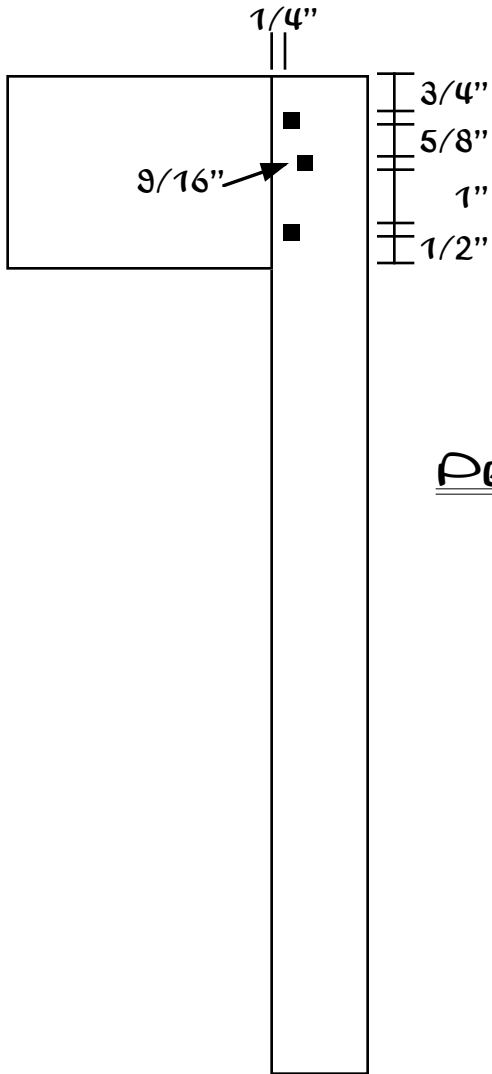


NOTES:

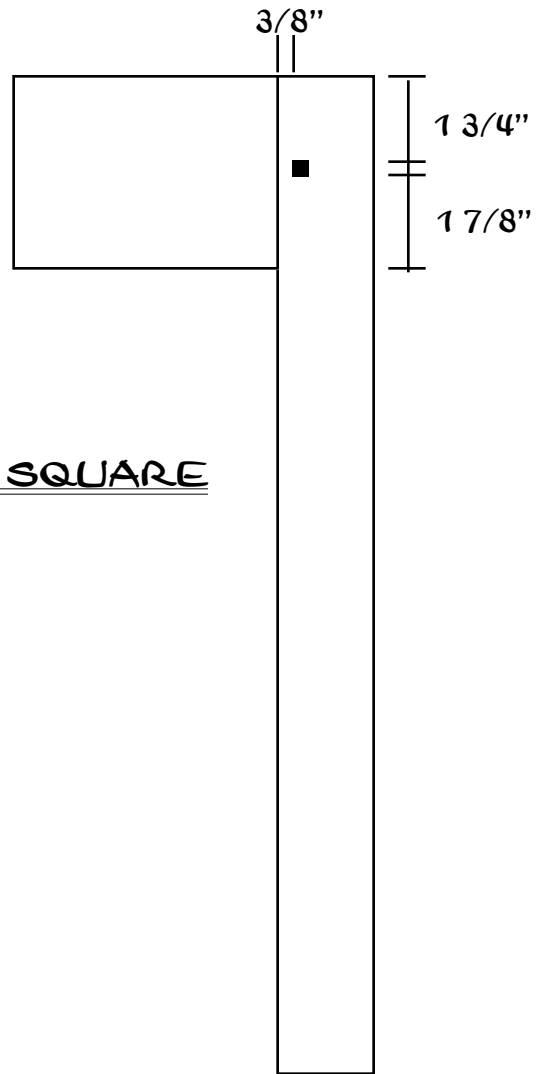
1. ADD 2" TO EACH RAIL LENGTH FOR TENONS
2. CARVING DETAIL SIMILAR TO THAT ON GAMBLE HOUSE LIVING ROOM FURNITURE

PEG DETAIL

FRONT OF LEG



SIDE OF LEG



PEGS: $3/8''$ SQUARE

MATERIALS LIST

Piece	Quantity	Material	Thickness	Width	Length
Legs	4	Cherry	1 7/8"	1 7/8"	20 3/4"
Front/Back Rails	2	Cherry	3/4"	4"	18"
Side Rails	2	Cherry	3/4"	4"	19"
Top	1	Cherry	7/8"	22"	26"
Pegs	16	Ebony	3/8"	3/8"	5/8"